

TX-R3A140-010G

PRODUCT SPECIFICATION

Approved by: _____

Checked by: _____

Prepared by: _____

Part No.	TX-R3A140-010G	Spec No.	WKF-BA3071	Page	1 of 8
-----------------	----------------	-----------------	------------	-------------	--------

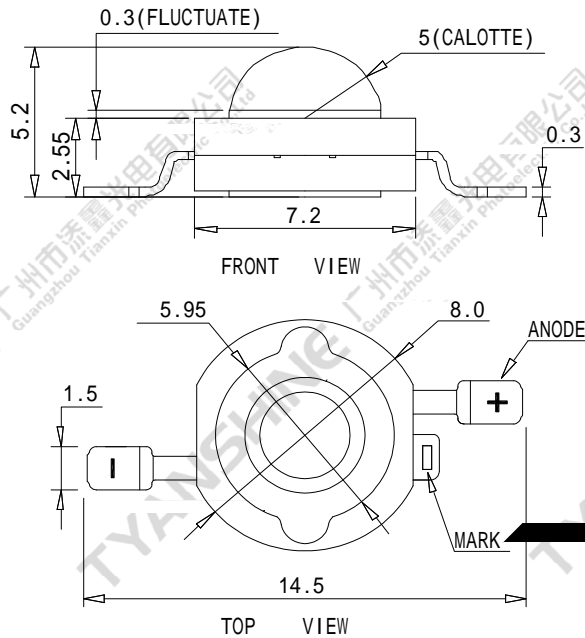
Features:

- ↵ Excellent Transiting Heat from LED Chip Operating under 700mA
- ↵ High Luminous Output
- ↵ No UV

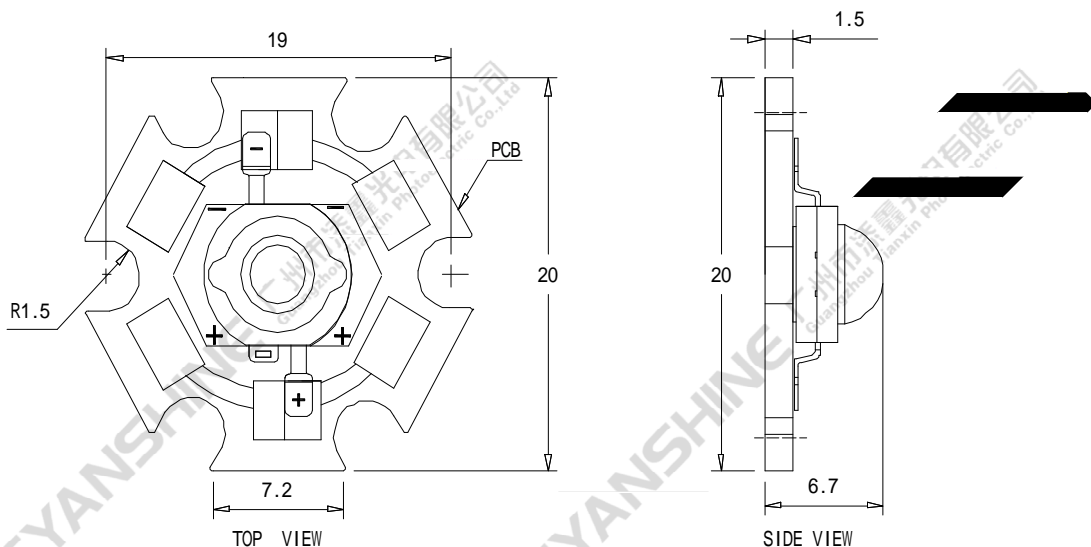
Typical purpose:

- ↵ Portable Flashlight
- ↵ Garden lighting
- ↵ General Lighting

Package Dimensions:



Installs on the aluminum sheet:



Part No.	TX-R3A140-010G	Spec No.	WKF-BA3071	Page	2 of 8
-----------------	----------------	-----------------	------------	-------------	--------

Notes:

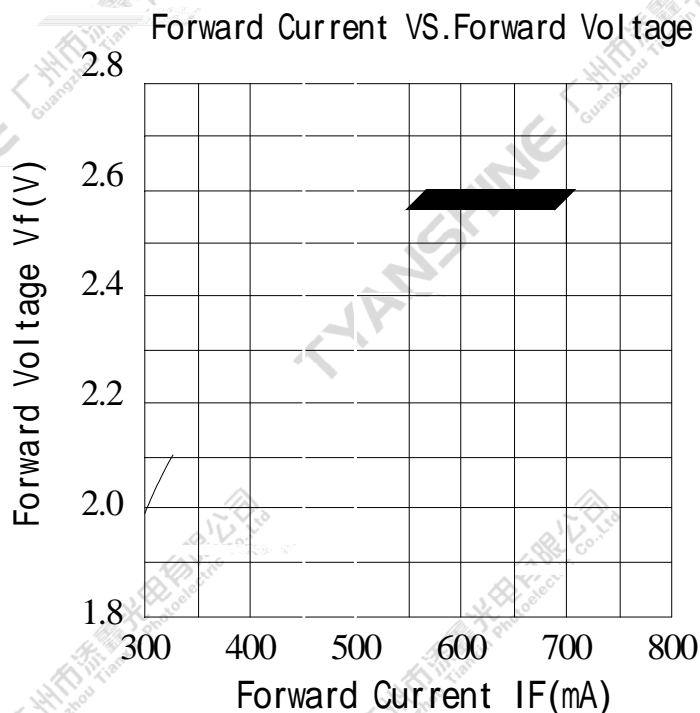
1. All dimensions are in millimeters (inches).

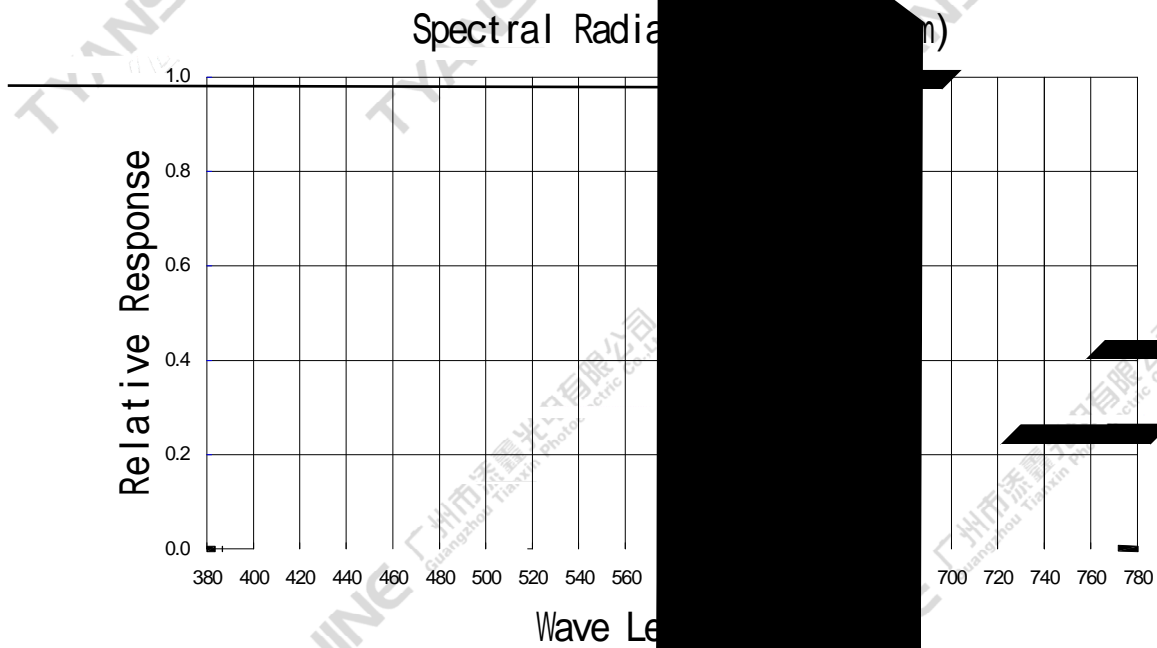
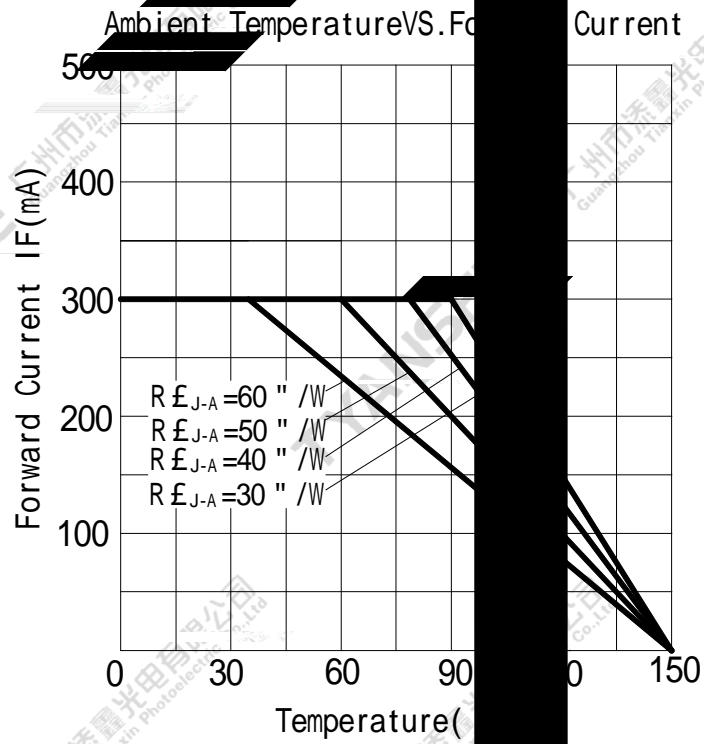
2. Tolerance is ± 0.25 mm (0.01

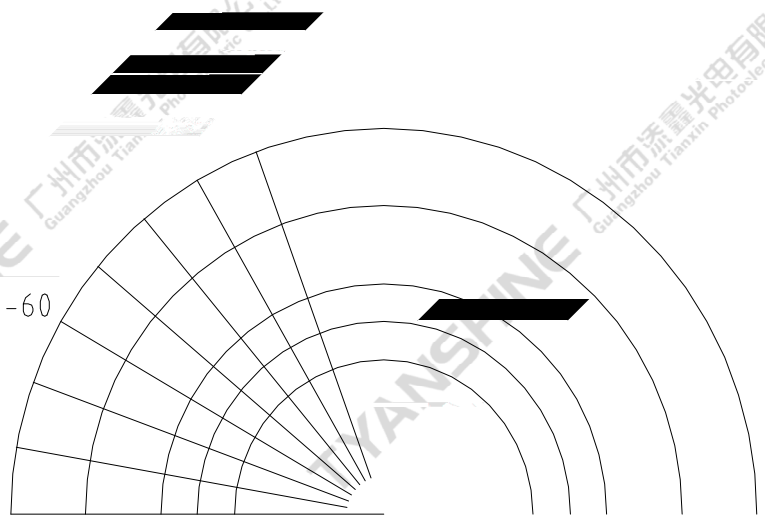
Part No.	TX-R3A140-010G	Spec No.	WKF-BA3071	Page	3 of 8
-----------------	----------------	-----------------	------------	-------------	--------

Typical Electrical / Optical Characteristics Curves

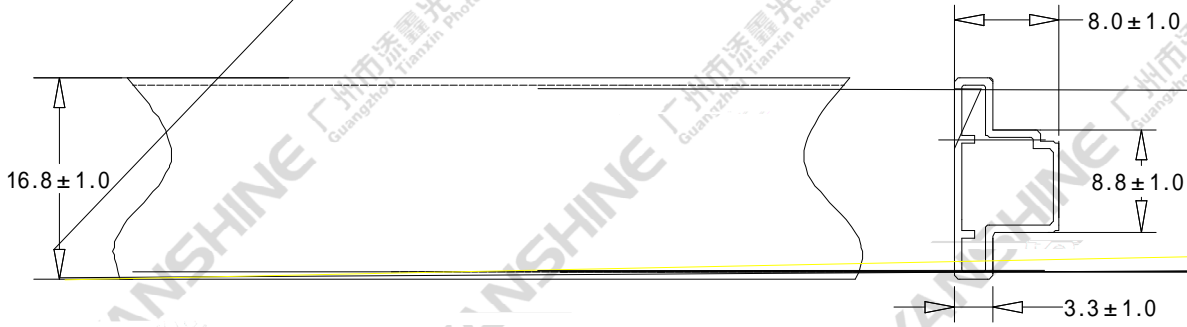
(25 " Ambient Temperature Unless Otherwise Noted)







Part No.	TX-R3A140-010G	Spec No.	WKF-BA3071	Page	7 of 8
----------	----------------	----------	------------	------	--------



Part No.	TX-R3A140-010G	Spec No.	WKF-BA3071	Page	8 of 8
----------	----------------	----------	------------	------	--------