

**TX-B3A140-002G**

**PRODUCT SPECIFICATION**

Approved by:

Checked by:

Prepared by:

|                 |                |                 |            |             |        |
|-----------------|----------------|-----------------|------------|-------------|--------|
| <b>Part No.</b> | TX-B3A140-002G | <b>Spec No.</b> | WKF-BA3005 | <b>Page</b> | 1 of 9 |
|-----------------|----------------|-----------------|------------|-------------|--------|

TYANSHINE 广州市天彦光电有限公司  
Guangzhou Tianyan Photoelectric Co., Ltd.

TYANSHINE 广州市天彦光电有限公司  
Guangzhou Tianyan Photoelectric Co., Ltd.

**Notes:**

1. All dimensions are in millimeters (inches).
2. Tolerance is  $\pm 0.25$  mm (0.01") unless otherwise noted.

| Part NO.       | Lens Color  | Emitting Color |
|----------------|-------------|----------------|
| TX-B3A140-002G | Water Clear | Blue           |

**Absolute Maximum Ratings at Ta=25 "**

| Parameter  | Symbol           | MAX.        | Unit |
|--|------------------|-------------|------|
| LED Junction Temperature                                     | T <sub>j</sub>   | 150         | "    |
| Power Dissipation  | P <sub>D</sub>   | 2660        | mW   |
| Peak Forward Current<br>(1/10 Duty Cycle, 0.1ms Pulse Width) | I <sub>FP</sub>  | 1000        | mA   |
| Continuous Forward Current                                   | I <sub>F</sub>   | 700         | mA   |
| Reverse Voltage  | V <sub>R</sub>   | 5           | V    |
| Electrostatic Discharge Threshold (ESD)                      | ESD              | 2000        | V    |
| Operating Temperature Range                                  | T <sub>opr</sub> | -30 to +70  | "    |
| Storage Temperature Range                                    | T <sub>spr</sub> | -40 to +100 |      |

**Notes:**

1. Specifications are subject to change without notice.
2. The data on this specification is for reference only and the actual data is in accordance with the acknowledgment.
3. Precautions for ESD:

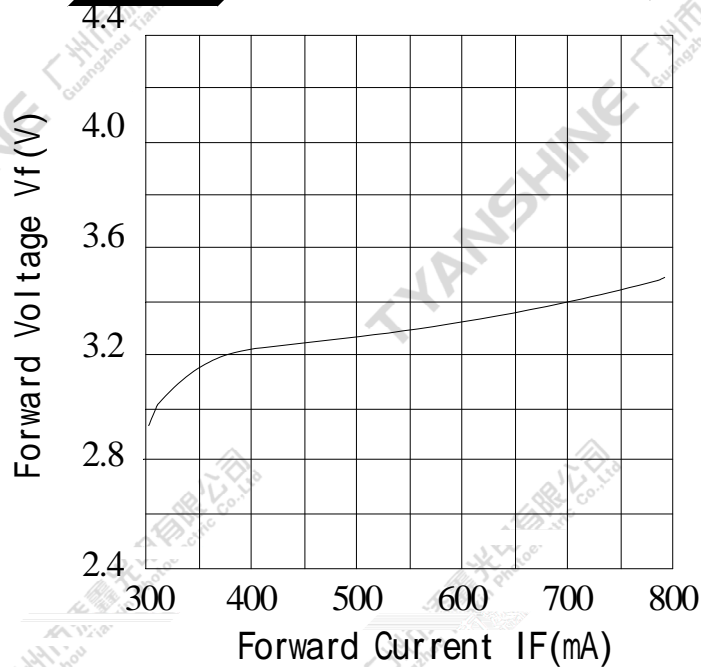
STATIC SHIELD Electricity and surge damages the LED. It is recommended to use a wrist band or anti-electrostatic glove when handling the LED. All devices, equipment and machinery must be properly grounded.



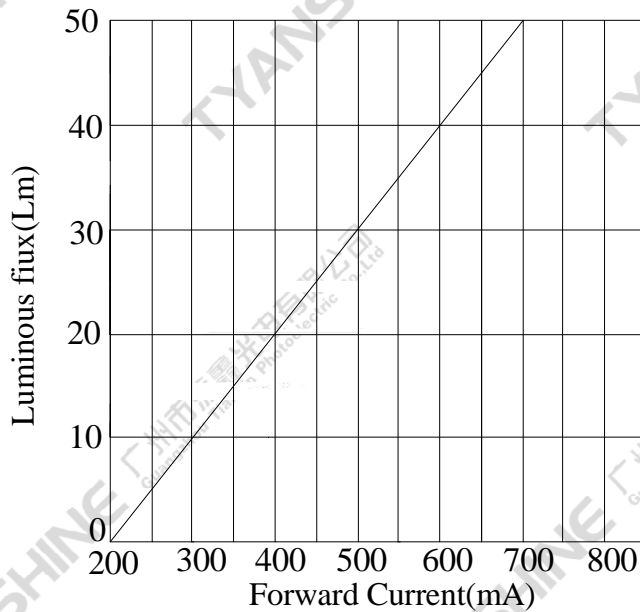
## Typical Electrical / Optical Characteristics Curves

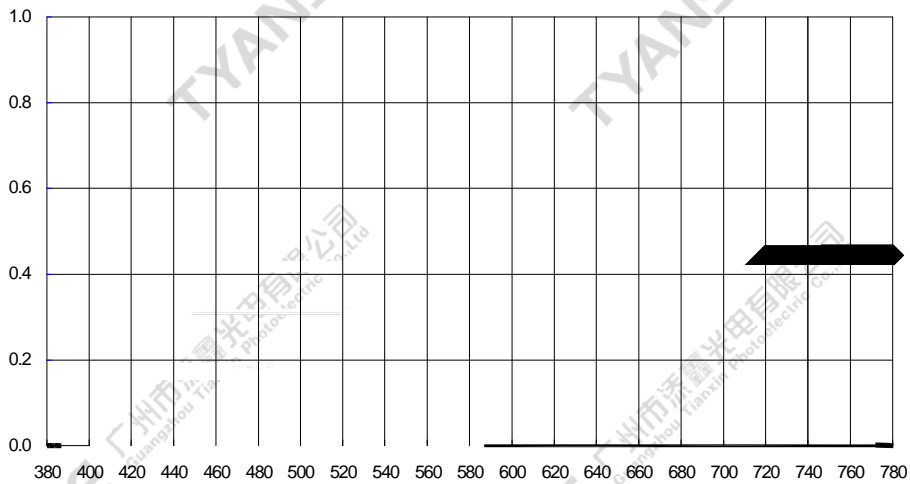
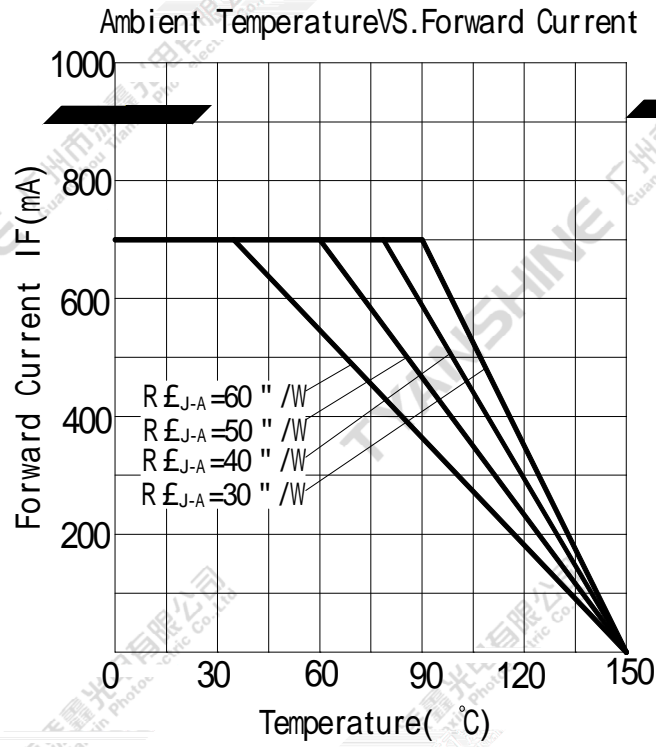
(25 " Ambient Temperature Unless Otherwise Noted)

Forward Current VS.Forward Voltage

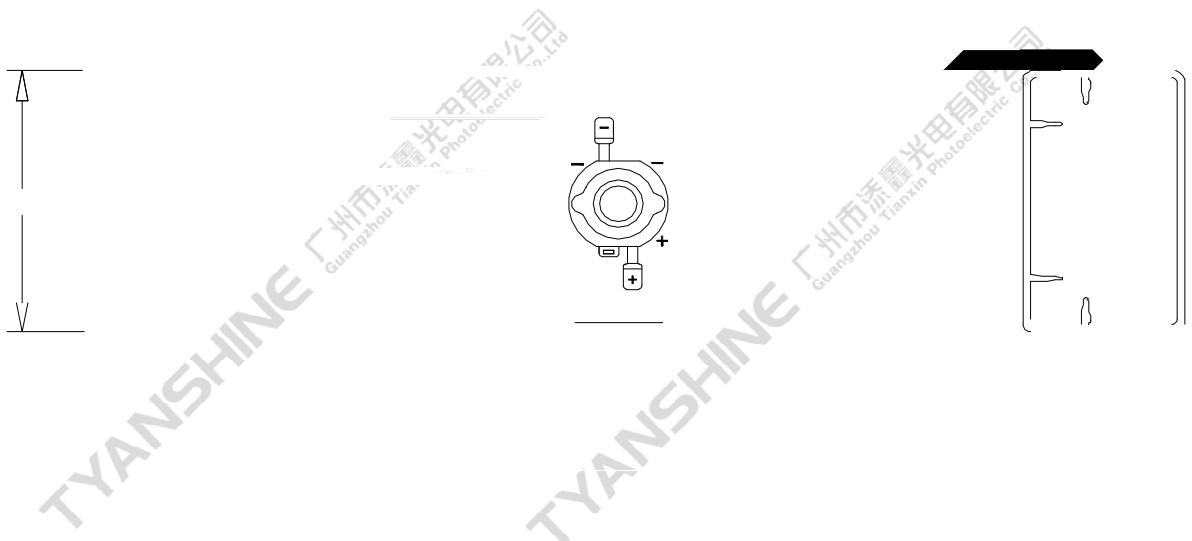
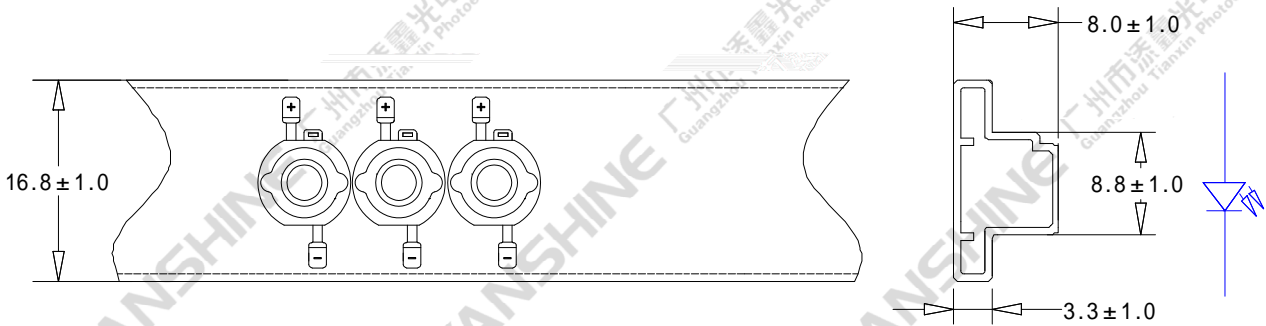


Forward Current VS.Luminous flux









|          |                |          |            |      |        |
|----------|----------------|----------|------------|------|--------|
| Part No. | TX-B3A140-002G | Spec No. | WKF-BA3005 | Page | 8 of 9 |
|----------|----------------|----------|------------|------|--------|



WE 广州市天鑫光电有限公司  
Guangzhou Tianxin Photo. Optic Co., Ltd.

TYANSHINE 广州市天鑫光电有限公司  
Guangzhou Tianxin Photo. Optic Co., Ltd.

TYANSHINE 广州市天鑫光电有限公司  
Guangzhou Tianxin Photo. Optic Co., Ltd.

TYANSHINE 广州市天鑫光电有限公司  
Guangzhou Tianxin Photo. Optic Co., Ltd.